



Vendor: Cisco

Exam Code: 200-101

**Exam Name: ICND2 - Interconnecting Cisco Networking
Devices Part 2**

Version: DEMO

QUESTION 1

Refer to the exhibit. Why has this switch not been elected the root bridge for VLAN1?

```
Switch# show spanning-tree vlan 1
VLAN0001
Spanning tree enabled protocol rstp
  Root ID    Priority    20481
             Address     0008.217a.5800
             Cost        38
             Port        1 (FastEthernet0/1)
             Hello Time  2 sec  Max Age 20 sec  Forward Delay 15 sec

  Bridge ID  Priority    32769 (priority 32768 sys-id-ext 1)
             Address     0008.205e.6600
             Hello Time  2 sec  Max Age 20 sec  Forward Delay 15 sec
             Aging Time 300

Interface          Role Sts Cost      Prio.Nbr Type
-----
Fa0/1              Root FWD 19        128.1   P2p
Fa0/4              Desg FWD 38        128.1   P2p
Fa0/11             Altn BLK 57        128.1   P2p
Fa0/13            Desg FWD 38        128.1   P2p
```

- A. It has more than one interface that is connected to the root network segment.
- B. It is running RSTP while the elected root bridge is running 802.1d spanning tree.
- C. It has a higher MAC address than the elected root bridge.
- D. It has a higher bridge ID than the elected root bridge.

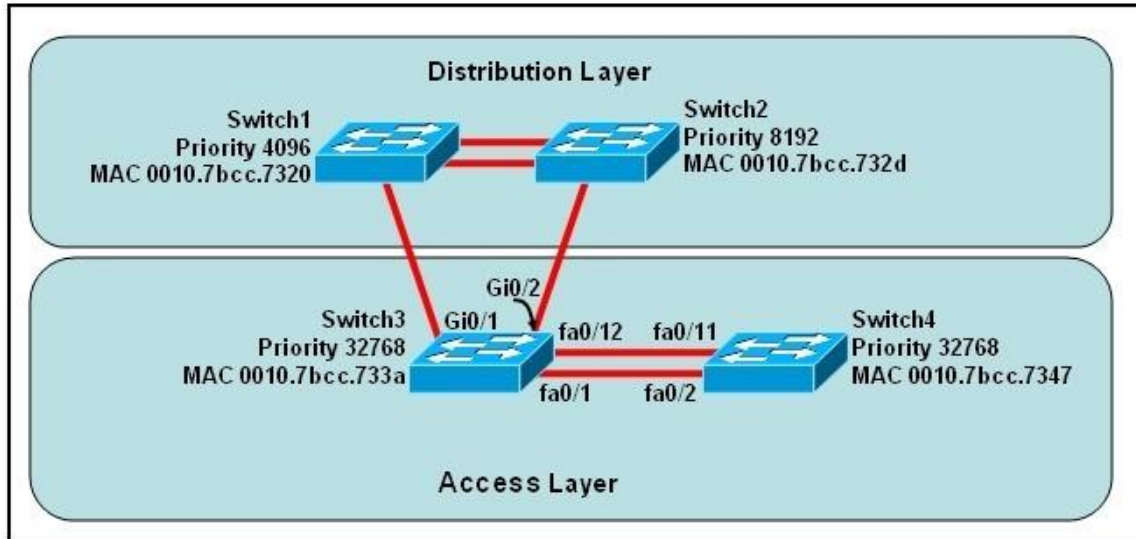
Answer: D

Explanation:

When a switch receives a BPDU, it first compares priority, the lower number wins. If a tie, compare MAC, the smaller one wins. Here Switch has 32769 priority which is greater than 20481 so switch will not elect for root bridge. It says the bridge priority for Switch is 32769, and the root priority is 20481. Which means that some other switch has the lower priority and won the election for VLAN 1.

QUESTION 2

Refer to the exhibit. At the end of an RSTP election process, which access layer switch port will assume the discarding role?



- A. Switch3, port fa0/1
- B. Switch3, port fa0/12
- C. Switch4, port fa0/11
- D. Switch4, port fa0/2
- E. Switch3, port Gi0/1
- F. Switch3, port Gi0/2

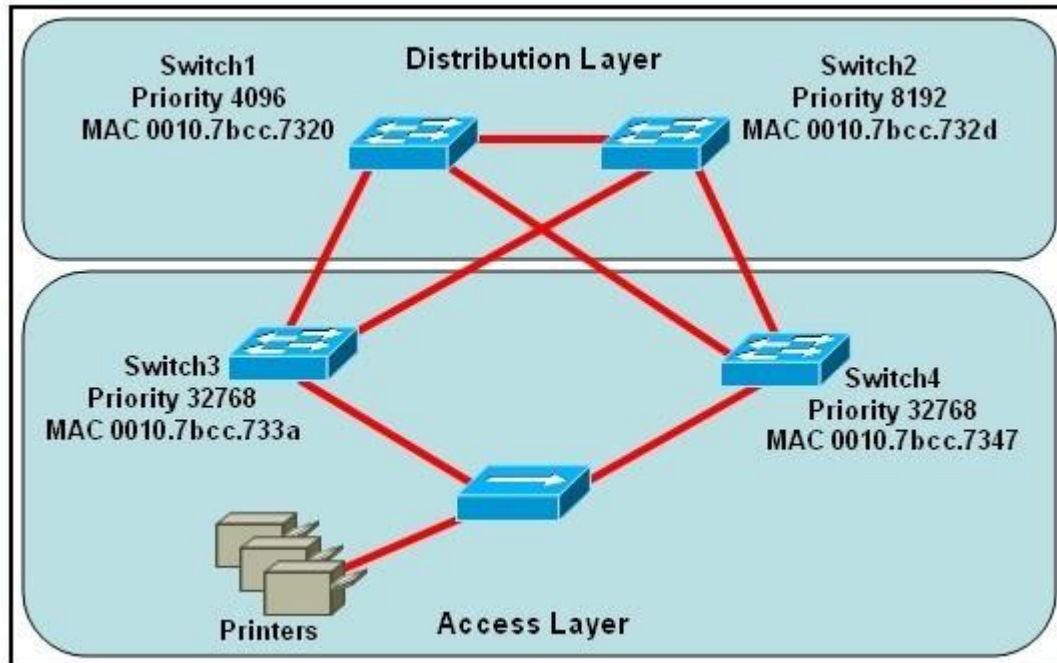
Answer: C

Explanation:

First, the question asks what switch services the printers, so it can be Switch 3 or Switch 4 which is connected directly to the Printers. Designated port is a port that is in the forwarding state. All ports of the root bridge are designated ports. Switch 3 and Switch 4 has same priority so it will see on lowest MAC address and here switch 3 has lowest MAC address. So switch 3 segment will play a Designated port role. By comparing the MAC address of Switch 3 and Switch 4 we found that the MAC of Switch 3 is smaller. Therefore the interface connected to the Printers of Switch 3 will become designated interface and the interface of Switch 4 will be blocked.

QUESTION 3

Refer to the exhibit. Which switch provides the spanning-tree designated port role for the network segment that services the printers?



- A. Switch1
- B. Switch2
- C. Switch3
- D. Switch4

Answer: C

Explanation:

In this question, we only care about the Access Layer switches (Switch3 & 4). Switch 3 has a lower bridge ID than Switch 4 (because the MAC of Switch3 is smaller than that of Switch4) so both ports of Switch3 will be in forwarding state. The alternative port will surely belong to Switch4. Switch4 will need to block one of its ports to avoid a bridging loop between the two switches. But how does Switch4 select its blocked port? Well, the answer is based on the BPDUs it receives from Switch3. A BPDU is superior than another if it has:

1. A lower Root Bridge ID
2. A lower path cost to the Root
3. A lower Sending Bridge ID
4. A lower Sending Port ID

These four parameters are examined in order. In this specific case, all the BPDUs sent by Switch3 have the same Root Bridge ID, the same path cost to the Root and the same Sending Bridge ID. The only parameter left to select the best one is the Sending Port ID (Port ID = port priority + port index). In this case the port priorities are equal because they use the default value, so Switch4 will compare port index values, which are unique to each port on the switch, and because Fa0/12 is inferior to Fa0/1, Switch4 will select the port connected with Fa0/1 (of Switch3) as its root port and block the other port -> Port fa0/11 of Switch4 will be blocked (discarding role)

QUESTION 4

Refer to the exhibit. Given the output shown from this Cisco Catalyst 2950, what is the reasons that interface FastEthernet 0/10 is not the root port for VLAN 2?

```
Switch# show spanning-tree interface fastethernet 0/10
Vlan          Role Sts Cost      Prio.Mbr Type
-----
VLAN0001      Root FWD 19        128.1   P2p
VLAN0002      Altn BLK 19        128.2   P2p
VLAN0003      Root FWD 19        128.2   P2p
```

- A. This switch has more than one interface connected to the root network segment in VLAN 2.
- B. This switch is running RSTP while the elected designated switch is running 802.1d Spanning Tree.
- C. This switch interface has a higher path cost to the root bridge than another in the topology.
- D. This switch has a lower bridge ID for VLAN 2 than the elected designated switch.

Answer: C

Explanation:

These four parameters are examined in order to make root bridge , root port , designated port. Other switch has lowest Sending Bridge ID or Sending Port ID so vlan 2 is not the root port.
1. A lower Root Bridge ID2. A lower path cost to the Root3. A lower Sending Bridge ID4. A lower Sending Port ID

QUESTION 5

Which two of these statements regarding RSTP are correct? (Choose two.)

- A. RSTP cannot operate with PVST+.
- B. RSTP defines new port roles.
- C. RSTP defines no new port states.
- D. RSTP is a proprietary implementation of IEEE 802.1D STP.
- E. RSTP is compatible with the original IEEE 802.1D STP.

Answer: BE

Explanation:

http://www.cisco.com/en/US/tech/tk389/tk621/technologies_white_paper09186a0080094cfa.shtml

QUESTION 6

Which port state is introduced by Rapid-PVST?

- A. learning
- B. listening
- C. discarding
- D. forwarding

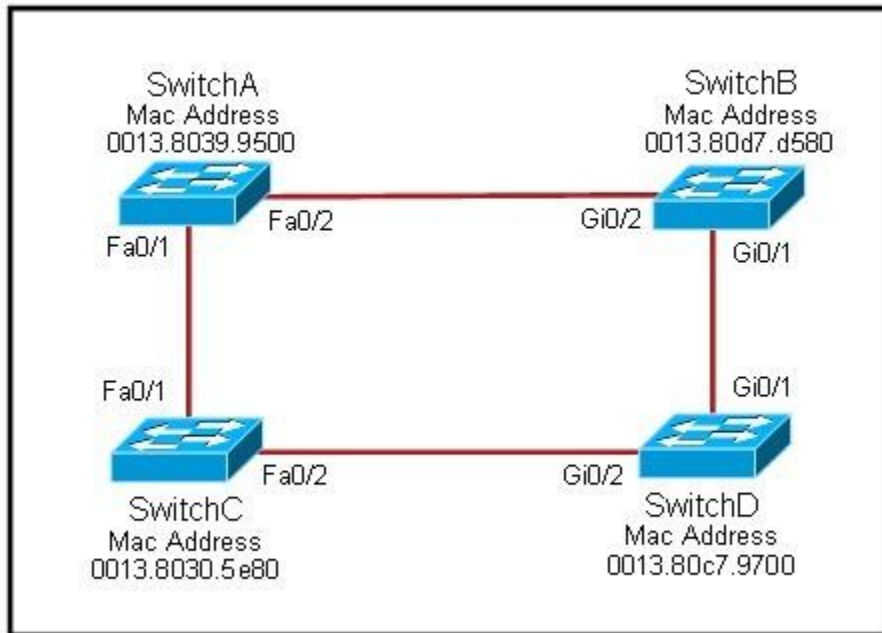
Answer: C

Explanation:

PVST+ is based on IEEE802.1D Spanning Tree Protocol (STP). But PVST+ has only 3 port states (discarding, learning and forwarding) while STP has 5 port states (blocking, listening, learning, forwarding and disabled). So discarding is a new port state in PVST+.

QUESTION 7

Refer to the exhibit. Each of these four switches has been configured with a hostname, as well as being configured to run RSTP. No other configuration changes have been made. Which three of these show the correct RSTP port roles for the indicated switches and interfaces? (Choose three.)



- A. SwitchA, Fa0/2, designated
- B. SwitchA, Fa0/1, root
- C. SwitchB, Gi0/2, root
- D. SwitchB, Gi0/1, designated
- E. SwitchC, Fa0/2, root
- F. SwitchD, Gi0/2, root

Answer: ABF

Explanation:

The question says "no other configuration changes have been made" so we can understand these switches have the same bridge priority. Switch C has lowest MAC address so it will become root bridge and 2 of its ports (Fa0/1 & Fa0/2) will be designated ports. Because SwitchC is the root bridge so the 2 ports nearest SwitchC on SwitchA (Fa0/1) and SwitchD (Gi0/2) will be root ports -> B and F are correct.

SwitchB must have a root port so which port will it choose? To answer this question we need to know about STP cost and port cost.

In general, "cost" is calculated based on bandwidth of the link. The higher the bandwidth on a link, the lower the value of its cost. Below are the cost values you should memorize:

Link speed

Cost

10Mbps

100Mbps

1 Gbps

SwitchB will choose the interface with lower cost to the root bridge as the root port so we must calculate the cost on interface Gi0/1 & Gi0/2 of SwitchB to the root bridge. This can be calculated from the "cost to the root bridge" of each switch because a switch always advertises its cost to the root bridge in its BPDU. The receiving switch will add its local port cost value to the cost in the BPDU.

SwitchC advertises its cost to the root bridge with a value of 0. Switch D adds 4 (the cost value of 1Gbps link) and advertises this value (4) to SwitchB. SwitchB adds another 4 and learns that it can reach SwitchC via Gi0/1 port with a total cost of 8. The same process happens for SwitchA and SwitchB learns that it can reach SwitchC via Gi0/2 with a total cost of 23 -> Switch B chooses Gi0/1 as its root port.

Now our last task is to identify the port roles of the ports between SwitchA & SwitchB. It is rather easy as the MAC address of SwitchA is lower than that of SwitchB so Fa0/2 of SwitchA will be designated port while Gi0/2 of SwitchB will be alternative port.

QUESTION 8

Which two states are the port states when RSTP has converged? (Choose two.)

- A. discarding
- B. listening
- C. learning
- D. forwarding
- E. disabled

Answer: AD

Explanation:

RSTP only has 3 port states that are discarding, learning and forwarding. When RSTP has converged there are only 2 port states left: discarding and forwarding.

QUESTION 9

Which three statements about RSTP are true? (Choose three.)

- A. RSTP significantly reduces topology reconverging time after a link failure.
- B. RSTP expands the STP port roles by adding the alternate and backup roles.
- C. RSTP port states are blocking, discarding, learning, or forwarding.
- D. RSTP provides a faster transition to the forwarding state on point-to-point links than STP does.
- E. RSTP also uses the STP proposal-agreement sequence.
- F. RSTP uses the same timer-based process as STP on point-to-point links.

Answer: ABD

Explanation:

http://www.cisco.com/en/US/tech/tk389/tk621/technologies_white_paper09186a0080094cfa.shtml

QUESTION 10

At which layer of the OSI model is RSTP used to prevent loops?

- A. physical
- B. data link
- C. network
- D. transport

Answer: B

Explanation:

RSTP and STP operate on switches and are based on the exchange of Bridge Protocol Data Units (BPDUs) between switches. One of the most important fields in BPDUs is the Bridge Priority in which the MAC address is used to elect the Root Bridge, RSTP operates at Layer 2.

http://www.cisco.com/en/US/tech/tk389/tk621/technologies_white_paper09186a0080094cfa.shtml

Thank You for Trying Our Product

Braindump2go Certification Exam Features:

- ★ More than **99,900** Satisfied Customers Worldwide.
- ★ Average **99.9%** Success Rate.
- ★ **Free Update** to match latest and real exam scenarios.
- ★ **Instant Download** Access! No Setup required.
- ★ Questions & Answers are downloadable in **PDF** format and **VCE** test engine format.
- ★ Multi-Platform capabilities - **Windows, Laptop, Mac, Android, iPhone, iPod, iPad.**
- ★ **100%** Guaranteed Success or **100%** Money Back Guarantee.
- ★ **Fast**, helpful support **24x7**.



View list of all certification exams: <http://www.braindump2go.com/all-products.html>



Microsoft



ORACLE



CITRIX



JUNIPER
NETWORKS



EMC²
where information lives[®]

10% Discount Coupon Code: BDNT2014