



**Vendor:** Cisco

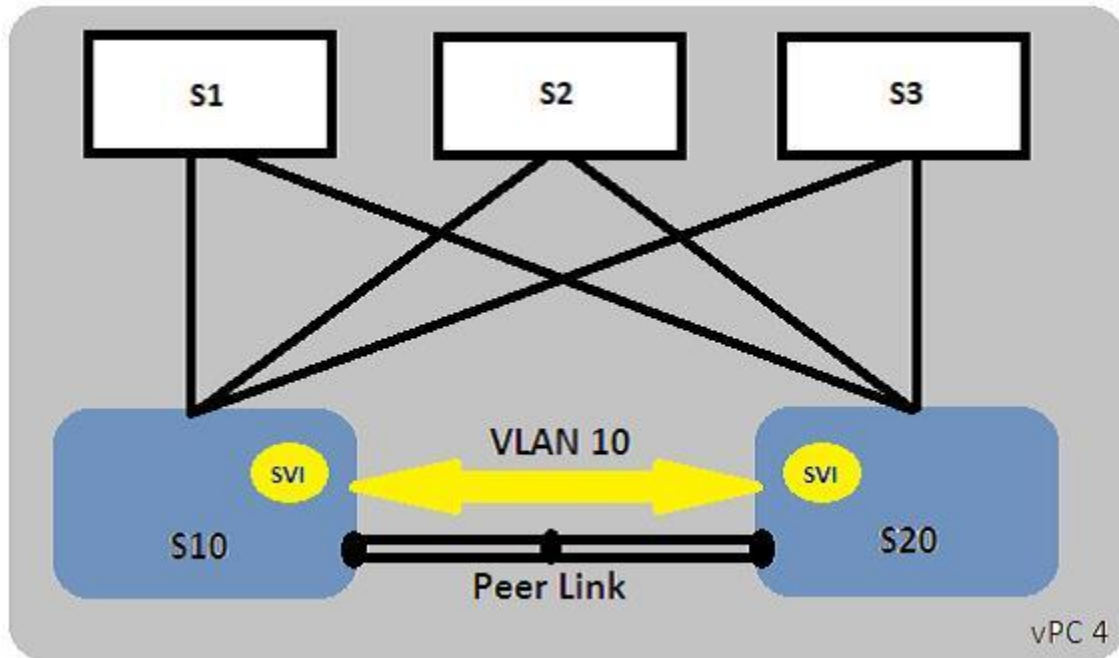
**Exam Code:** 642-980

**Exam Name:** Troubleshooting Cisco Data Center Unified  
Fabric (DCUFT)

**Version:** DEMO

### QUESTION 1

Refer to the exhibit. An administrator sets up a Fabric Path network. The administrator tries to ping between two SVI interfaces on the leaf switches 10 and 20, but fails. What caused the pings to fail?



- A. Switches S10 and S20 do not have F2 modules.
- B. Layer 3 over a vPC+ peer link is not supported.
- C. VLAN 10 is not enabled on the spine switches (S1, S2, and S3)
- D. The vPC peer gateway must be enabled on switches S10 and S20
- E. Switches S1, S2 and S3 should be interconnected directly.

**Answer: C**

### QUESTION 2

Which command helps to determine if there are any conflicts in the network with respect to a FabricPath configuration?

- A. switchport mode fabricpath
- B. show fabricpath conflict
- C. show licences
- D. show fabricpath conflict all

**Answer: D**

### QUESTION 3

Refer to the exhibit. Which two issues cause a problem with the implementation of an OTV between data centers? (Choose two.)

```
interface Overlay1
otv join-interface port-channel 101
otv control-group 239.1.1.1
otv data-group 239.1.1.0/24
otv extend-vlan 100-110
!
interface port-channel 101
mtu 9216
ip address 172.31.2.2/30
ip igmp version 2
```

- A. incorrect data group range
- B. incorrect IGMP version
- C. incorrect MTU
- D. overlapping control-group and data-ranges
- E. incorrect control-group address

**Answer:** BD

#### QUESTION 4

Which three commands will help an administrator identify any issues with an in-Service Software Upgrade (Choose three.)

- A. show lacp issu-impact
- B. show cts interface
- C. show install impact all
- D. show install issu-failure
- E. show incompatibility system
- F. show license file

**Answer:** ACE

#### QUESTION 5

Which two statements are true about the OTV otv site-identifier id command (Choose two.)

- A. it should be configured in addition to the otv site-vlan command.
- B. it should be configured instead of the otv site-vlan command.
- C. it is used to determine if there are other OTV edge devices on the local site.
- D. The value should be the same across all OTV sites.
- E. it is used to identify the site to other OTV sites in the network.

**Answer:** AC

#### QUESTION 6

You receive an error attempting to enable the vPC feature on a Cisco Nexus 7018 Switch. Which Cisco Fabric Services distribution must be operational before the feature can be enabled?

- A. CFSofC
- B. CFSofP
- C. CFSofV
- D. CFSofE
- E. CFSofM

**Answer: D**

#### QUESTION 7

Which command would you use to check the status of your configuration synchronization peer?

- A. N5K2# show switch-profile peer
- B. N5K2# show config-sync peer
- C. N5K2# show synch peer
- D. N5K2# show peer status
- E. N5K2# show switch peer

**Answer: A**

#### QUESTION 8

Which two describe the correct requirements for non-disruptive IOS ISSU on Cisco Nexus 7000 Series Switches? (Choose two.)

- A. updated kickstart and system images must be staged in bootflash on single-supervisor switches
- B. updated kickstart and system images must be staged in bootflash on dual-supervisor switches
- C. low version skew
- D. dual supervisors
- E. clock synchronization

**Answer: CD**

#### QUESTION 9

What is one requirement for running FabricPath on a Cisco Nexus 7000 Series switches?

- A. You must have an F Series module
- B. You must run NX-OS version 4.2 to run FabricPath
- C. ISSU needs to be disabled to run FabricPath
- D. LAN\_TRANSPORT\_SERVICES\_PKG license needs to be installed to run FabricPath

**Answer: A**

#### QUESTION 10

Which statement is true regarding Cisco FabricPath?

- A. It is necessary to first install the Cisco FabricPath feature set in the default VDC.

- B. Cisco FabricPath is only available on Cisco Nexus 7010 Switches with the Supervisor 2 engine.
- C. Cisco FabricPath cannot be disabled explicitly for a specific VDC.
- D. If the Cisco FabricPath feature is not installed, the fabricpath keyword will be available in the feature-set command.

**Answer:** A

#### **QUESTION 11**

Your customer is an ISP providing service to thousands of end customers. Its main concerns are focused on using up the total number of 4096 VLANs per VDC, wasting an unused block of IP addresses, and IP address management. Which technique will address these concerns?

- A. create a separate VDC to scale VLAN limitation and upgrade to Cisco Nexus 7018 Switch
- B. segment VLANs using secondary IP addresses, which will reduce the management domain
- C. create mapping between the VLAN and VSAN to run FCoE to consolidate VLAN and IP addresses
- D. use PVLANS, which will solve the scalability problem and provide IP address management

**Answer:** D

#### **QUESTION 12**

Which statement is true regarding STP?

- A. When the spanning-tree topology is calculated based on default parameters, the path between the source and destination end stations in a switched network might not be ideal.
- B. The path between the source and the destination end stations is always ideal with the default spanning-tree parameter.
- C. The path between the source and the destination end stations is determined by the speed of the link; the slowest link speed will become the root port during the election.
- D. The path between the source and the destination end stations is determined by the lowest MAC address; the lowest MAC address will become the root port during the election.

**Answer:** A

## Thank You for Trying Our Product

### Braindump2go Certification Exam Features:

- ★ More than **99,900** Satisfied Customers Worldwide.
- ★ Average **99.9%** Success Rate.
- ★ **Free Update** to match latest and real exam scenarios.
- ★ **Instant Download** Access! No Setup required.
- ★ Questions & Answers are downloadable in **PDF** format and **VCE** test engine format.
- ★ Multi-Platform capabilities - **Windows, Laptop, Mac, Android, iPhone, iPod, iPad.**
- ★ **100%** Guaranteed Success or **100%** Money Back Guarantee.
- ★ **Fast**, helpful support **24x7**.



View list of all certification exams: <http://www.braindump2go.com/all-products.html>



Microsoft



ORACLE



CITRIX



JUNIPER  
NETWORKS



EMC<sup>2</sup>  
where information lives<sup>®</sup>

**10% Discount Coupon Code: BDNT2014**