



**Vendor:** Microsoft

**Exam Code:** 70-448

**Exam Name:** TS: Microsoft SQL Server 2008, Business Intelligence Development and Maintenance

**Version:** DEMO

### QUESTION 1

You create a SQL Server 2008 Analysis Services (SSAS) solution.  
The solution has the following components:

- A dimension named DimTime that contains an attribute named Month
- A measure group named FactSales that references the DimTime dimension

You need to ensure that the aggregations designed on FactSales always include the Month attribute.

What should you do?

- A. Set the Usage property appropriately.
- B. Set the IsAggregatable property appropriately.
- C. Set the AggregationUsage property appropriately.
- D. Set the AttributeHierarchyEnabled property appropriately.

**Answer: C**

### QUESTION 2

You create a SQL Server 2008 Analysis Services (SSAS) solution.

You enable proactive caching for a partition.

You need to ensure that SSAS can query relational data when multidimensional storage is being updated.

What should you do?

- A. Set the OnlineMode property for the partition to Immediate.
- B. Set the ProcessingMode property for the partition to Regular.
- C. Set the OnlineMode property for the partition to OnCacheComplete.
- D. Set the ProcessingMode property for the partition to LazyAggregations.

**Answer: A**

### QUESTION 3

You create a SQL Server 2008 Analysis Services (SSAS) solution.

You create a dimension named DimCustomer that contains the following three attributes:

- Customer
- City
- Country

The Customer attribute is the key. The DimCustomer dimension is related to a measure group named Sales that has the Granularity property set to City.

You need to ensure that you can retrieve measure values based on the City and Country attributes.

What should you do?

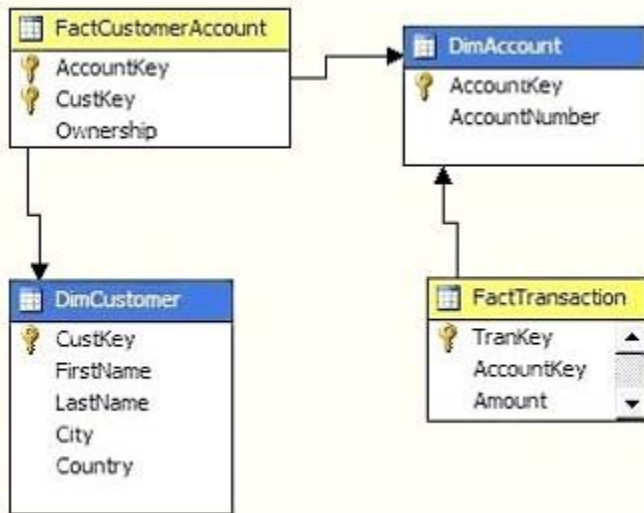
- A. Set the source attribute to Customer and the related attribute to City.  
Set the source attribute to City and the related attribute to Country.
- B. Set the source attribute to City and the related attribute to Customer.  
Set the source attribute to Country and the related attribute to City.
- C. Set the source attribute to Customer and the related attribute to City.  
Set the source attribute to Customer and the related attribute to Country.

- D. Set the source attribute to City and the related attribute to Customer.  
Set the source attribute to Country and the related attribute to Customer.

**Answer: A**

#### QUESTION 4

You create a SQL Server 2008 Analysis Services (SSAS) solution.  
The cube structure is as shown in the following exhibit. (Click the Exhibit button.)



The Ownership column contains decimal values that represent percentage of ownership.  
The sum of all the values in the Ownership column for a single DimAccount member is 100%.  
You create the following measures:

- Ownership
- Amount

You need to ensure that when the Amount measure is calculated against the DimCustomer dimension, the weighted value is calculated based on the Ownership measure.  
What should you do?

- A. Set the MeasureExpression property of the Amount measure to  $[Amount]*[Ownership]$ .
- B. Set the FormatString property of the Amount measure to  $[Amount]*[Ownership]$ .
- C. Set the MeasureExpression property of the Amount measure to  $[DimCustomer].[Amount]*[Ownership]$ .
- D. Set the FormatString property of the Amount measure to  $[DimCustomer].[Amount]*[Ownership]$ .

**Answer: A**

#### QUESTION 5

You create a SQL Server 2008 Analysis Services (SSAS) solution. The solution includes a table named FactOrders that contains two columns as shown in the following table:

Column Name	Description
OrderKey	primary key for FactOrders
CustomerKey	relates to the customer who places the order

You need to create a measure that returns the number of customers who have placed orders. What should you do?

- A. Set the Usage property to Count of rows and the Source Column property to OrderKey.
- B. Set the Usage property to Distinct count and the Source Column property to OrderKey.
- C. Set the Usage property to Distinct count and the Source Column property to CustomerKey.
- D. Set the Usage property to Count of rows and the Source Column property to CustomerKey.

**Answer: C**

#### QUESTION 6

You create a SQL Server 2008 Analysis Services (SSAS) solution. You create a dimension named DimProduct that contains an attribute named Price. You use the DimProduct dimension in a cube. You need to ensure that aggregations are not associated with the Price attribute. What should you do?

- A. Set the IsAggregatable property of the Price attribute to False.
- B. Set the AttributeHierarchyEnabled property of the Price attribute to False.
- C. Set the MembersWithData property of the Price attribute to NonLeafDataHidden.
- D. Set the GroupingBehavior property of the Price attribute to DiscourageGrouping.

**Answer: B**

#### QUESTION 7

You develop a SQL Server 2008 Integration Services (SSIS) package. You need to modify the path where the package writes event data to a text file. What should you do?

- A. Modify the log provider.
- B. Modify the Connection Manager.
- C. Modify the Flat File Destination.
- D. Move the package file to the new path.

**Answer: B**

#### QUESTION 8

You are editing a SQL Server 2008 Integration Services (SSIS) package by using Business Intelligence Development Studio. The package uses a custom data flow component. The package runs successfully. You attempt to add another instance of the custom data flow component to the package. The data flow component does not appear in the toolbox or in the Choose Toolbox Items dialog box. You need to add the custom data flow component to the toolbox. What should you do?

- A. Copy the assembly to the appropriate folder.
- B. Add the assembly to the Global Assembly Cache.
- C. Register the assembly by using the REGSVR32 utility.
- D. Register the assembly by using the Assembly Registration utility (REGASM.EXE).

**Answer:** A

#### **QUESTION 9**

You design a SQL Server 2008 Integration Services (SSIS) data flow that inserts data from a source query to a destination table.

You need to insert only those rows that do not already exist in the destination table.

What are two possible ways to achieve this goal?

(Each correct answer presents a complete solution. Choose two.)

- A. Use the Merge transformation.
- B. Use the Lookup transformation.
- C. Use the Union All transformation.
- D. Use the Merge Join transformation.
- E. Use the Fuzzy Lookup transformation.
- F. Use the Fuzzy Grouping transformation.

**Answer:** BD

#### **QUESTION 10**

You implement a SQL Server 2008 Integration Services (SSIS) package.

The package contains the following components:

- A data flow task contained in a For Loop container
- A Flat File destination component that uses a Flat File connection manager
- An OnError event handler

When an error occurs in the package, you plan to write diagnostic information from an expression that includes the version of the package to a text file.

You need to ensure that the required information is written to the text file.

What should you do?

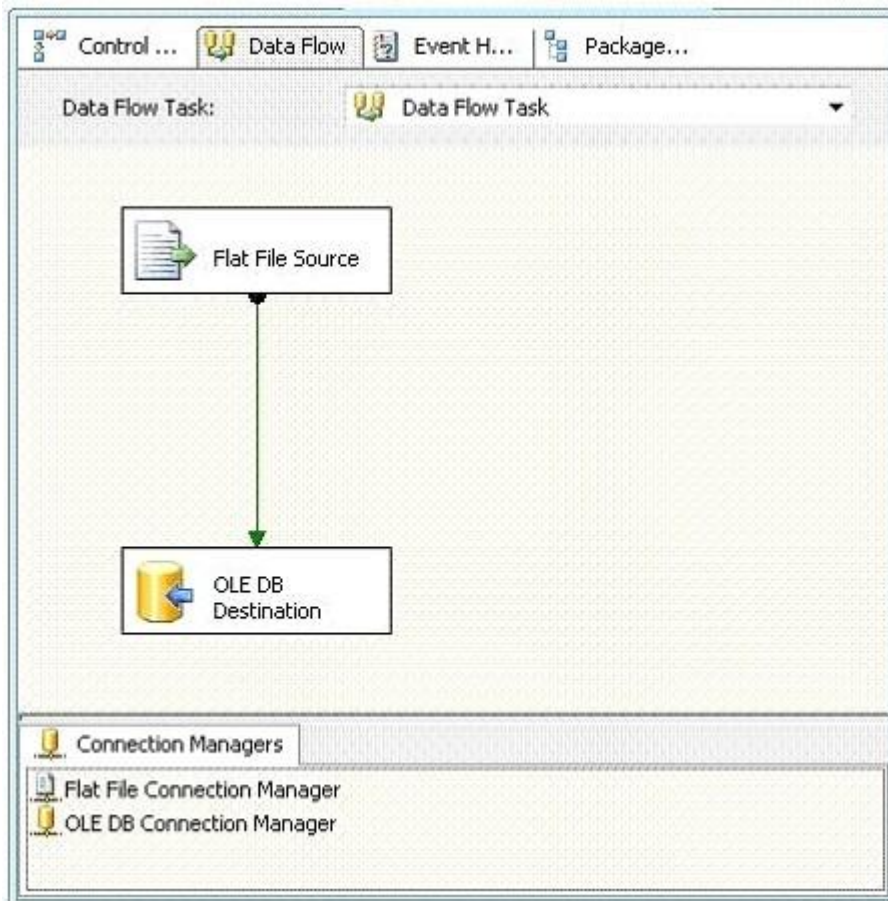
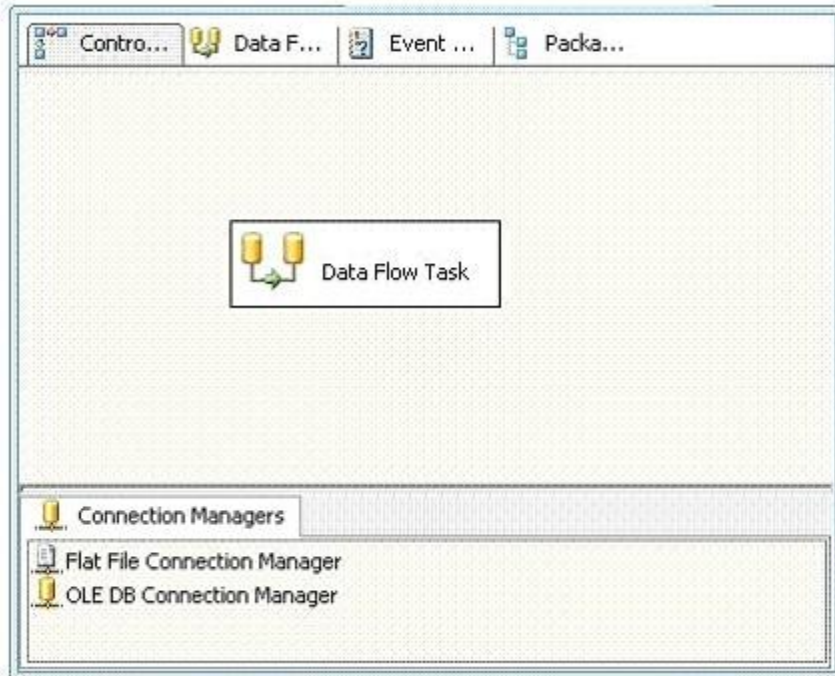
- A. Use the VersionGUID variable.
- B. Use the ExecutionGUID variable.
- C. Use the SourceID variable.
- D. Use the TaskID variable.

**Answer:** A

#### **QUESTION 11**

You modify a SQL Server 2008 Integration Services (SSIS) package.

The package extracts data from a text file and loads this data to a SQL Server 2008 table as shown in the following two exhibits.



You need to update the package to extract data from multiple text files of the same directory.

Which three actions should you perform?  
(Each correct answer presents part of the solution. Choose three.)

- A. Add a variable to the package.
- B. Add a variable to the data flow task.
- C. Add a Foreach Loop container to the package.
- D. Add a For Loop container to the package.
- E. Add an expression to the Flat File Source component.
- F. Add an expression to the Flat File connection manager.

**Answer:** ACF

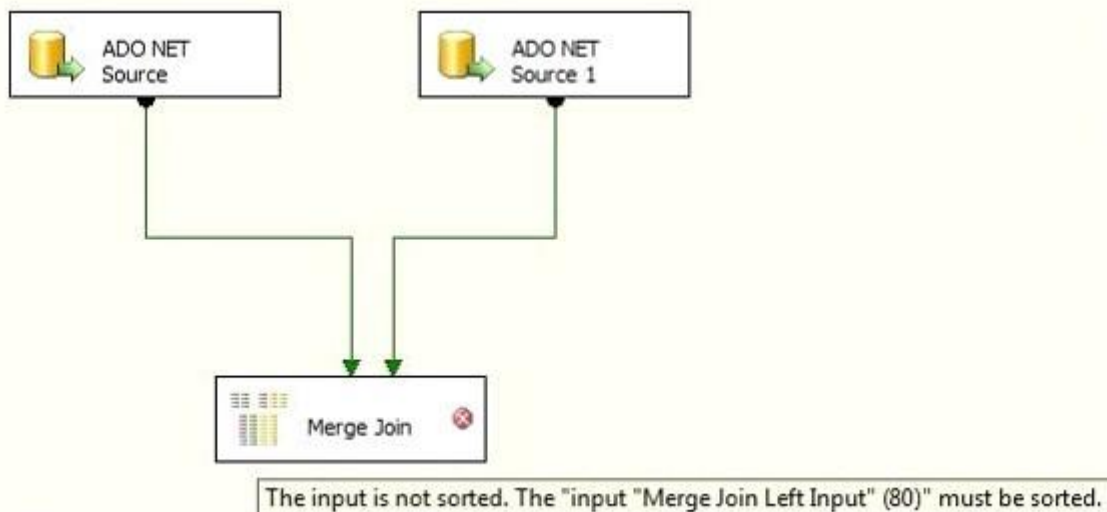
#### QUESTION 12

You are developing a SQL Server 2008 Integration Services (SSIS) data flow that extracts data from two sources.

Each source database is located on a different server.

Each source is based on a SELECT statement that uses an ORDER BY clause.

The data flow is as shown in the following diagram.



When the paths from the two sources are connected to a Merge Join component, the following error message is displayed:

"Data Flow Task: The input is not sorted. The 'input "Merge Join Left Input" (80)' must be sorted."

You need to ensure that data from each query is included in each row in the data flow.

You want to achieve this goal by using minimum amount of execution time.

What should you do?

- A. Add a Sort transformation for each data flow.
- B. Add an OLE DB Command transformation for each data flow.
- C. Update the sorting properties in each source component.
- D. Replace the Merge Join transformation with a Union All transformation.



**Answer: C**

**QUESTION 13**

You are developing a SQL Server 2008 Integration Services (SSIS) package. The package uses an OLE DB connection manager to connect to a third-party database server. The database does not support Integrated Windows authentication. You create an XML configuration file that provides configuration for the connection manager. You add the configuration file to the package. When the package executes, you receive an error message which indicates that login failure occurred. You need to execute the package successfully. What should you do?

- A. Edit the XML configuration file.
- B. Use an indirect XML configuration.
- C. Run the package on the same server as the third-party database server.
- D. Use a Microsoft ADO.NET connection manager instead of an OLE DB connection manager.

**Answer: A**

**QUESTION 14**

You create a SQL Server 2008 Reporting Services (SSRS) report. You plan to create a list of customers by using a List control. For each customer in the List control, you plan to include a table that contains the orders for that customer. The customer data is stored in the Customers table in the data source, and the order data is stored in the Orders table. You need to define the required dataset or datasets for this report. What should you do?

- A. Create a query that joins the two tables in the data source by using the JOIN clause. Add the query as a single data set to the report.
- B. Create a query that combines the two tables in the data source by using the UNION operator. Add the query as a single data set to the report.
- C. Create a query for each table. Group both tables on the column that is used to join the tables. Add both queries as separate data sets to the report.
- D. Create a query for each table. Sort both tables on the column that is used to join the tables. Add both queries as separate data sets to the report.

**Answer: A**



## Thank You for Trying Our Product

### Braindump2go Certification Exam Features:

- ★ More than **99,900** Satisfied Customers Worldwide.
- ★ Average **99.9%** Success Rate.
- ★ **Free Update** to match latest and real exam scenarios.
- ★ **Instant Download** Access! No Setup required.
- ★ Questions & Answers are downloadable in **PDF** format and **VCE** test engine format.
- ★ Multi-Platform capabilities - **Windows, Laptop, Mac, Android, iPhone, iPod, iPad.**
- ★ **100%** Guaranteed Success or **100%** Money Back Guarantee.
- ★ **Fast**, helpful support **24x7**.



View list of all certification exams: <http://www.braindump2go.com/all-products.html>



Microsoft



ORACLE



CITRIX



JUNIPER  
NETWORKS



EMC<sup>2</sup>  
where information lives<sup>®</sup>

**10% Discount Coupon Code: BDNT2014**