



**Vendor:** Cisco

**Exam Code:** 300-515

**Exam Name:** Implementing Cisco Service Provider VPN  
Services (SVPI)

**Version:** DEMO

### QUESTION 1

Refer to the exhibit. The CE router has established a BGP peering with the PE router, and the CE will use the core infrastructure of the PE as a backbone carrier to support CSC. Which additional task can you perform to complete the configuration?

```
CE Router

router bgp 65001
  address-family ipv4 unicast
    redistribute ospf 1
    allocate-label all
  neighbor 192.168.1.25
    remote-as 65012

PE Router

router bgp 65012
  vrf custrouter
    rd 65001:65012
    address-family ipv4 unicast
      allocate-label all
      redistribute static
    neighbor 192.168.1.24
      remote-as 65001
    address-family ipv4 labeled-unicast
```

- A. Configure static routing on the CE router.
- B. Configure the address-family ipv4 labeled-unicast command under the neighbor configuration of the CE router for the PE.
- C. Change the rd value to 65001:65001 under the VRF section of the PE router.
- D. Configure OSPF on the PE router.

Answer: D

### QUESTION 2

Refer to the exhibit. Which statement describes the result of this configuration?

```
R1

router ospf 1 vrf custabc
  network 192.168.1.0 0.0.0.255 area 1
  redistribute bgp 65001 metric-type 1 subnets
```

- A. R1 redistributes BGP routes into the OSPF process of VRF custabc as E1 routes.
- B. R1 redistributes BGP routes into the OSPF process of VRF custabc as E2 routes.
- C. R1 mutually redistributes routes between BGP 65001 and the OSPF process of VRF custabc.
- D. R1 redistributes BGP routes into the OSPF process of VRF custabc as OIA routes.

**Answer:** A

### QUESTION 3

You are writing the requirements for an MPLS L3VPN environment that uses MP-BGP between PE routers. In this environment, route targets and route distinguishers need to be advertised between the PE routers.

Which three operations meet these requirements? (Choose three.)

- A. mandatory creation of PE-to-PE BGP sessions between the outgoing interface IP addresses
- B. advertisement of standard communities, enabled on the PE-to-PE BGP neighbors
- C. creation of PE-to-PE BGP sessions between loopback IP addresses
- D. full mesh of IBGP sessions
- E. full mesh of EBGP sessions and partial mesh of IBGP sessions
- F. advertisement of extended communities, enabled on the PE-to-PE BGP neighbors

**Answer:** CDF

### QUESTION 4

Which is the primary function of a MPLS L3 VPN route target?

- A. It imports and exports identified routes into selected VRFs.
- B. It uniquely identifies NLRIs that have the same numeric value.
- C. It imports the external routes it identifies into VRFs that support Internet traffic
- D. It supports QoS by classifying traffic by file type when it applies MPLS EXP bits to each packet.

**Answer:** A

### QUESTION 5

Which two statements about MPLS L3 VPN RDs are true? (Choose two.)

- A. They enable EIGRP to use address families to separate traffic between IPv4 and VPNv4.
- B. They are represented as 32-bit values
- C. They are represented as 64-bit values.
- D. They enable OSPF to import and export routes into the global routing table of a router.
- E. They allow BGP to uniquely identify duplicate routes.

**Answer:** CE

### QUESTION 6

Which statement describes the no bgp default route-target filter command?

- A. Prefixes that are received with route targets and distinguisher are accepted.
- B. Prefixes that are received with route targets and distinguisher are not accepted.

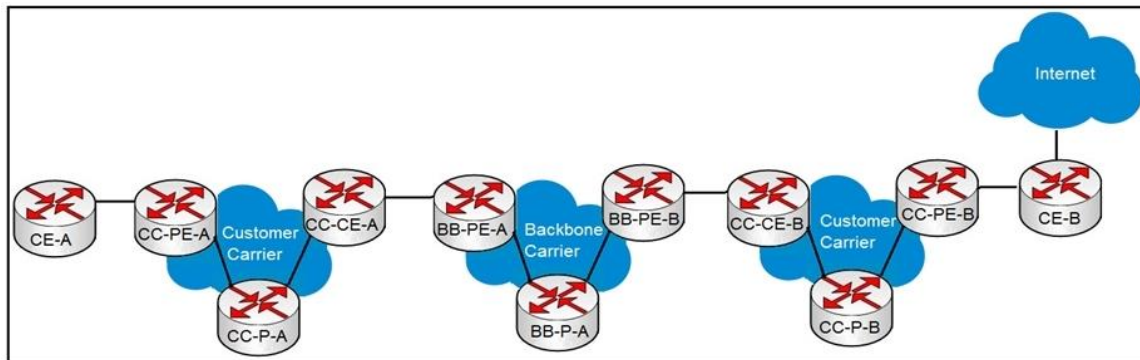
- C. Prefixes that are received with route targets that are not imported at the PE are not accepted.
- D. Prefixes that are received with route targets that are not imported at the PE are accepted.

Answer: D

### QUESTION 7

Refer to the exhibit. A customer carrier running MPLS VPN wants to utilize a backbone carrier to forward traffic and exchange VPNv4 prefixes between the two customer carrier networks depicted.

Which two sets of routers must establish MP-iBGP sessions? (Choose two.)



- A. BB-PE-A and CC-PE-B
- B. CC-PE-A and CC-PE-B
- C. BB-PE-A and BB-PE-B
- D. CC-PE-A and BB-PE-A
- E. BB-PE-A and BB-P-A
- F. CC-PE-A and CC-P-A

Answer: BC

### QUESTION 8

Refer to the exhibit. What is the effect of this configuration?

```
ip vrf mvpn-extranet
rd 12:1
vpn id 12:1
route-target import 12:2
route-target export 12:3
mldp default mpls mldp 192.168.1.2
exit
ip multicast-routing vrf mvpn-extranet
```

- A. The mroute table is cleared.
- B. Router 1 accepts multicast routes with a tag of 12:1
- C. A Cisco MPLS TE tunnel is generated with 192.168.1.2 as the source IP address of router 1.

D. An LSP virtual interface tunnel is created.

Answer: B

#### QUESTION 9

Refer to the exhibit. Which statement about this command is true?

```
mdt default mpls mldp 2.2.2.2
```

- A. It must be configured on each PE router to enable the PE routers to receive multicast traffic for this particular MVRP.
- B. It is used to set the designated router on a link using PIM-SM.
- C. It must be configured on the PE and CE router to enable MP-BGP to send labels for CSC.
- D. It is used to set the router that will server as the root bridge for STP.

Answer: A

#### QUESTION 10

Refer to the exhibit. Which statement describes the result of this BGP configuration?

```
R1  
  
router bgp 65010  
no bgp default ipv4-unicast  
neighbor 192.168.1.1 remote-as 65010  
address-family ipv4  
neighbor 192.168.1.1 activate
```

- A. R1 operates using IPv4 and VPNv4 address families.
- B. R1 operates on IPv6 only because the bgp default ipv4-unicast command is missing.
- C. R1 establishes a VPNv4 eBGP relationship with neighbor 192.168.1.1.
- D. R1 establishes an iBGP relationship with peer 192.168.1.1.

Answer: D

## Thank You for Trying Our Product

### Braindump2go Certification Features:

- ★ More than **99,900** Satisfied Customers Worldwide.
- ★ Average **99.9%** Success Rate.
- ★ **Free Update** to match latest and real exam scenarios.
- ★ **Instant Download** Access! No Setup required.
- ★ Questions & Answers are downloadable in **PDF** format and **VCE** test engine format.
- ★ Multi-Platform capabilities - **Windows, Laptop, Mac, Android, iPhone, iPod, iPad.**
- ★ **100%** Guaranteed Success or **100%** Money Back Guarantee.
- ★ **Fast**, helpful support **24x7**.



View list of all certification exams: <http://www.braindump2go.com/all-products.html>



Microsoft



ORACLE



CITRIX



JUNIPER  
NETWORKS



EMC<sup>2</sup>  
where information lives

**10% Discount Coupon Code: ASTR14**