

➤ **Vendor:** Cisco

➤ **Exam Code:** 200-901

➤ **Exam Name:** Developing Applications and Automating Workflows using Cisco Core Platforms (DEVASC)

➤ **New Updated Questions from [Braindump2go](#) (Updated in [January/2024](#))**

[Visit Braindump2go and Download Full Version 200-901 Exam Dumps](#)

QUESTION 497

Drag and Drop Question

Refer to the exhibit. Drag and drop the code from the bottom onto the box where the code is missing to configure the GigabitEthernet 3 interface. Not all options are used.

Address

Leafs

- negotiated

Children

- dhcp
- primary
- secondary

`class Native.Interface.GigabitEthernet.Ip.Address`

Bases:Entity
Class Hierarchy: Native interface GigabitEthernet ip Address
This class represents configuration data.
Set the IP address of an interface

secondary

type: list of Secondary

primary

type: Primary

dhcp

IP Address negotiated via DHCP

type: Dhcp

presence node: True

negotiated

IP Address negotiated via IKEv2 Modeconfig

type: Empty

```

from ydk.services import CRUDService
from ydk.providers import NetconfServiceProvider as nc
from ydk.models.cisco_ios_xe import Cisco_IOS_XE_native as model
ip = '10.10.20.48'
prctl = 'ssh'
user = 'developer'
psw = 'P@s$W0rD'
port = 830
provider = nc(address=ip, port=port, username=user, password=psw, protocol=prctl)
crud = CRUDService()

interface = 

interface.name = '3'
interface.description = 'Interface Description'

 = '172.16.10.10'
 = '255.255.255.0'


```

-
-
-
-
-
-
-

```

from ydk.services import CRUDService
from ydk.providers import NetconfServiceProvider as nc
from ydk.models.cisco_ios_xe import Cisco_IOS_XE_native as model
ip = '10.10.20.48'
prctl = 'ssh'
user = 'developer'
psw = 'P@s$W0rD'
port = 830
provider = nc(address=ip, port=port, username=user, password=psw, protocol=prctl)
crud = CRUDService()

interface = 

interface.name = '3'
interface.description = 'Interface Description'

 = '172.16.10.10'
 = '255.255.255.0'



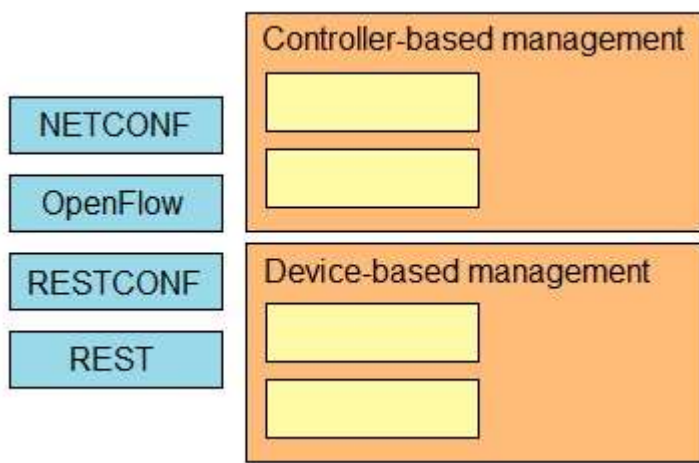
```

Answer:

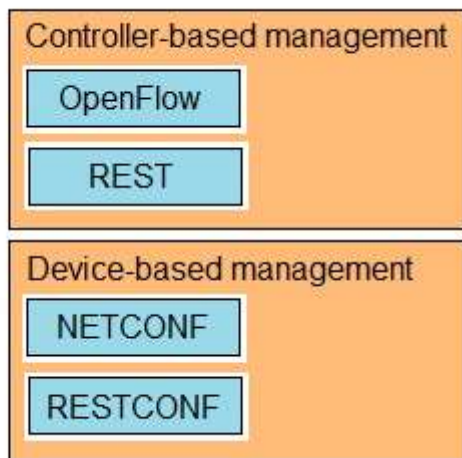
QUESTION 498

Drag and Drop Question

Drag and drop the protocols from the left onto the management technologies on the right that expose the protocols to network engineers.



Answer:



QUESTION 499

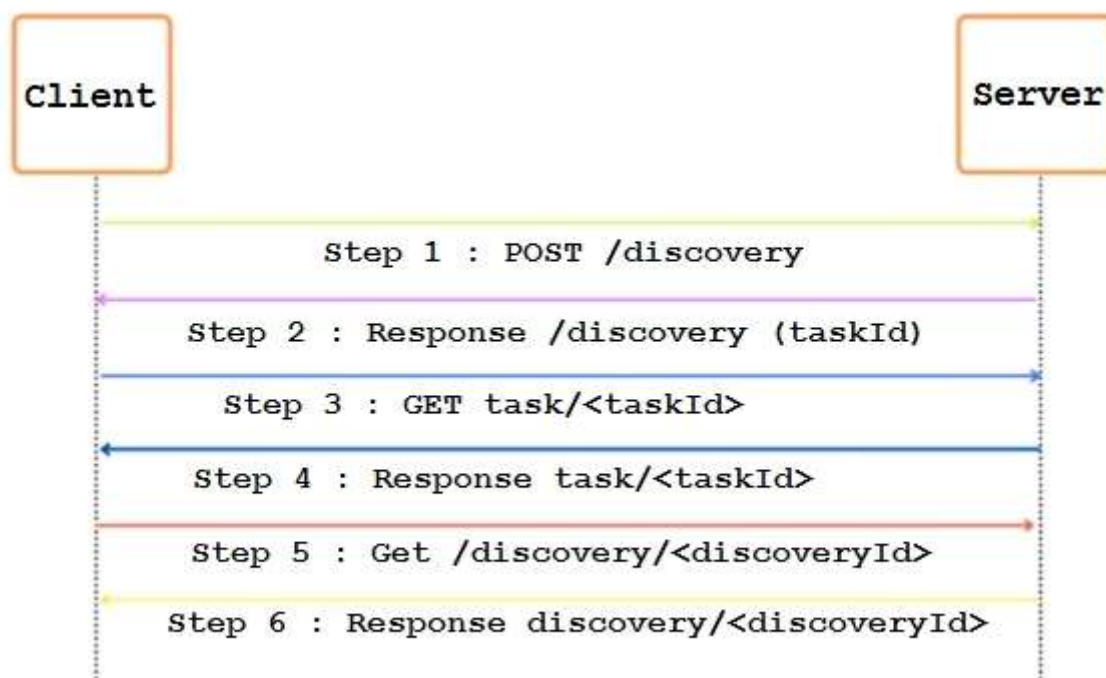
Which type of OWASP threat uses malicious scripts that are injected into otherwise benign and trusted websites?

- A. brute force
- B. man-in-the-middle
- C. XSS
- D. SQL injection

Answer: C

QUESTION 500

Refer to the exhibit. The sequence diagram shows a RESTful API call. Which step and response will represent the behavior of the REST API call to be synchronous?



- A. POST/discovery/ when there is a slot available and get the response from the POST call with the discovery details.
- B. GET/discovery/ when the discovery is finished and get the response from the GET call with the discovery requirements.
- C. POST/discovery?discoveryid= when the discovery is created and get the response from the POST call with the discovery details.
- D. PUT/discovery/ when the discovery is created and get the response of the discovery when it is updated.

Answer: B

QUESTION 501

How do the processes used by the Agile methodology compare with the processes used by the Lean methodology?

- A. Agile concentrates on optimizing the development process, and Lean concentrates on optimizing

the production process.

- B. Agile and Lean concentrate on optimizing the production process.
- C. Agile and Lean concentrate on optimizing the development process.
- D. Agile concentrates on optimizing the production process, and Lean concentrates on optimizing the development process.

Answer: A

QUESTION 502

A developer is working on a new feature named 'feat434370483' in a branch. A file named 'devasc321345515.jpg' has accidentally been staged. The developer needs to remove this so that the commit is performed and branches are merged. Which Git command must be used to unstage the file?

- A. `git rm HEAD devasc321345515.jpg`
- B. `git reset HEAD devasc321345515.jpg`
- C. `git remove HEAD devasc321345515.jpg`
- D. `git revert HEAD devasc321345515.jpg`

Answer: B

QUESTION 503

What are two advantages of model-driven programmability as compared to traditional network management? (Choose two.)

- A. standardized transport protocol
- B. better performance
- C. better visibility and control
- D. device abstraction
- E. access to more routing features

Answer: CD

QUESTION 504

Which cloud-based security solution is focused on DNS resolution?

- A. Cisco AMP
- B. Cisco Meraki Dashboard
- C. Cisco DNA Center
- D. Cisco Umbrella

Answer: D

QUESTION 505

Refer to the exhibit. An engineer needs to construct a Bash command to create a new backup folder and then copy all files from the current folder to the backup folder. Which code snippet must be placed on the blank in the code?

```
sme@cisco:~/cisco/logs$ mkdir backup; [ ] do cp $file ./backup;
done
```

- A. `for file in $(cd);`
- B. `for file in $(ls);`
- C. `for files in $(ls);`
- D. `for file in files;`

Answer: B

QUESTION 506

The API documentation has this requirement for a REST API request:

"For methods that accept request parameters, the platform accepts either application/json or application/x-www-form-urlencoded content types and currently only supports returning data in application/json format."

Which field returns content in the required format?

- A. `Accept: application/xml; q=0.5, application/json`
- B. `Content-Type: application/json`
- C. `Content-Type : application/xml; q=0.5, application/json`
- D. `Expect: application/json`

Answer: A

QUESTION 507

A developer checks the performance of a web application. The application is in the local data center and used a REST-based API. Based on the API logs, it is discovered that many users abandon API requests. Also, the response is taking too long to get back. What is the reason for this issue?

- A. Token-based authentication is disabled.

- B. Pagination is not implemented.
- C. Rate limiting is not implemented.
- D. Token-based authentication is enabled.

Answer: B

QUESTION 508

Which network device forwards packets between networks?

- A. router
- B. load balancer
- C. firewall
- D. switch

Answer: A

QUESTION 509

Refer to the exhibit. A developer creates a Python script to query a REST API by using an HTTP GET request. The remote server will authorize the request only if it includes HTTP Basic Auth parameters. The username is admin and the password is devnet123. Which line of code needs to be placed on the snippet where the code is missing?

```
1 import requests
2 url= 'https://cisco.devnet.com/rest'
3 
```

- A. `requests.get(url, auth= ('admin', 'devnet123'))`
- B. `requests.get(url, auth=HTTPODigestAuth('admin', 'devnet123'))`
- C. `requests.get(url, auth=HTTPBasicAuth('admin': 'devnet123'))`
- D. `requests.get(url, 'admin', 'devnet123')`

Answer: A

QUESTION 510

Refer to the exhibit. An engineer is comparing two files by using the unified diff format. What is determined by the content in the file2.py file?

```
--- file2.py 2020-09-26 15:27:49.000000000 -0600
+++ file1.py 2020-09-26 15:27:11.000000000 -0600
@@ -14,7 +14,7 @@
 USERNAME = '<USERNAME>' # Example USERNAME = 'devnetuser'
 PASSWORD = '<PASSWORD>' # Example PASSWORD = 'Cisc0123!'
-
-+auth = HTTPBasicAuth(USERNAME, PASSWORD)
-
-# URLs
-DEVICES_URL = '/dna/intent/api/v1/network-device'
@@ -23,7 +23,7 @@
-
-+def get_dnac_jwt_token():
-+    response = requests.post(BASE_URL + AUTH_URL,
-+                             auth=HTTPBasicAuth(USERNAME, PASSWORD),
-+                             auth=auth,
-+                             verify=False)
-+    token = response.json()['Token']
-+    return token
@@ -89,8 +89,9 @@
-+    'destIP': dst_ip_address,
-+    'inclusions': [
-+        'INTERFACE-STATS',
-+        'DEVICE-STATS',
-+        'ACL-TRACE',
-+        'DEVICE-STATS'
-+    ],
-+    'protocol': 'icmp'
-+
-+}
```

- A. Line 93 of file.py is 'DEVICE-STATS'.
- B. Line 92 of file2.py is 'DEVICE-STATS'.
- C. Line 16 of file2.py is auth=HTTPBasicAuth(USERNAME, PASSWORD).
- D. Line 17 of file2.py is auth = HTTPBasicAuth(USERNAME, PASSWORD).

Answer: A

QUESTION 511

What is the reason for an HTTP 404 code returned from a REST API request?

- A. The requested URL exists, but the HTTP method is not applicable.
- B. The requested resource is not found.
- C. The request was missing or had an invalid authentication token.
- D. The request was successful, but nothing is in the response body.

Answer: B

QUESTION 512

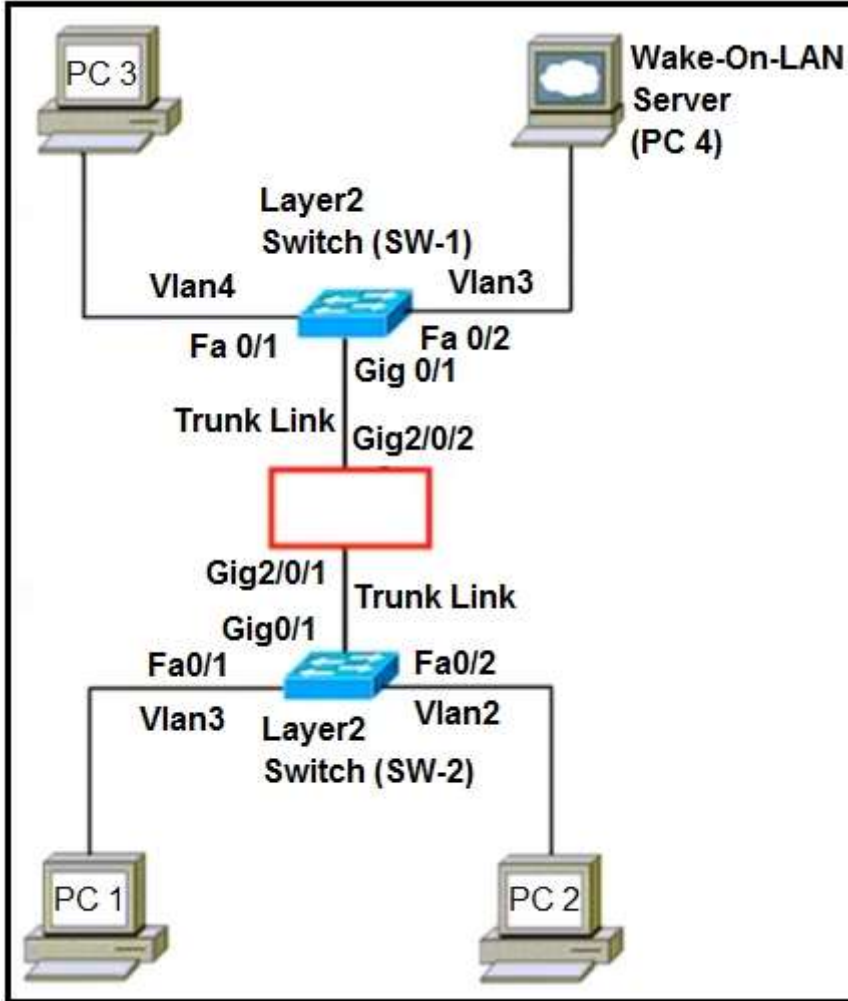
An existing application is accessible from an external IP address. Which device or service must be configured to make the application accessible through a URL by using a domain name?

- A. reverse proxy
- B. DNS
- C. firewall
- D. load balancer

Answer: B

QUESTION 513

Refer to the exhibit. Which device should be used to interconnect the hosts?



- A. load balancer
- B. VPN gateway
- C. Layer 2 switch
- D. Layer 3 switch

Answer: C

QUESTION 514

What is the main purpose of a code review?

- A. to identify and review errors with the team
- B. to detect logical errors
- C. to ensure that all code is checked in simultaneously
- D. to provide the technical lead visibility into all code

Answer: A

QUESTION 515

Which Python data type resembles JSON data structures?

- A. list
- B. dictionary
- C. string
- D. tuple

Answer: B

QUESTION 516

What are two benefits of organizing code into classes, methods, functions, and modules? (Choose two.)

- A. improves readability
- B. improves reusability
- C. improves parallelism
- D. improves performance
- E. decreases complexity

Answer: AB